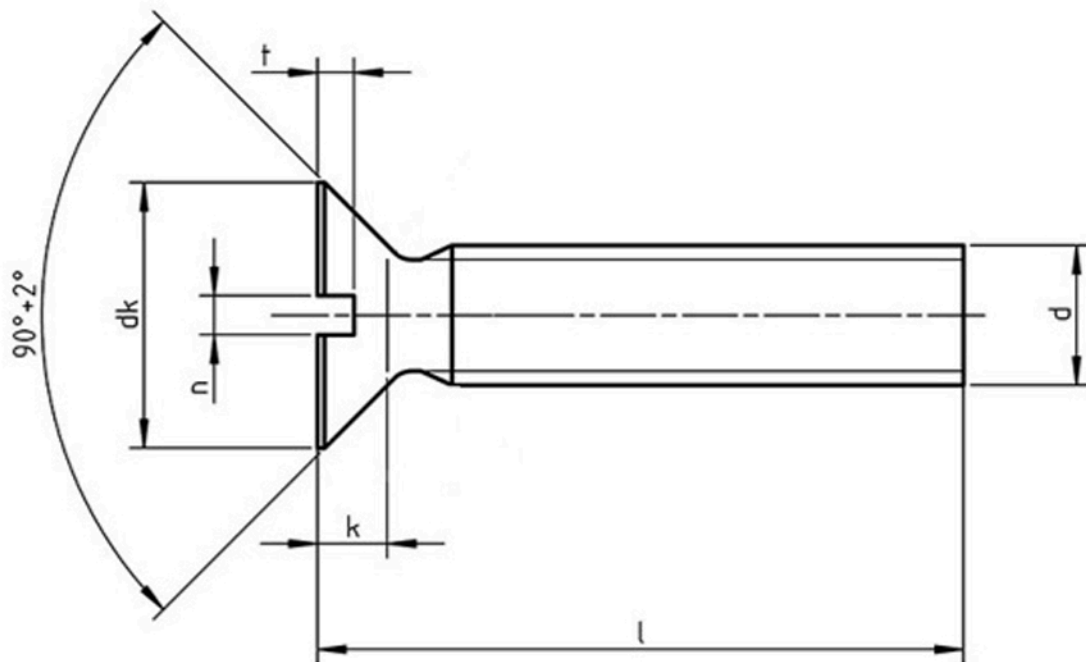


COUNTERSUNK SLOTTED MACHINE SCREW DIN 963

countersunk head slotted machine screws to DIN 963. Available in steel zinc plated, brass and stainless steel grade A2 & A4



Thread D		M2.5	M3	M3.5	M4	M5	M6	M8	M10	M12
	Pitch	0.45	0.50	0.60	0.70	0.80	1.00	1.25	1.50	1.75
dk	Nom.+Max	4.70	5.60	6.50	7.50	9.20	11.00	14.50	18.00	22.00
K	Nom.+Max	1.50	1.65	1.93	2.20	2.50	3.00	4.00	5.00	6.00
n	Max.	0.60	0.80	1.00	1.00	1.20	1.60	2.00	2.50	3.00
t	Min.	0.50	0.60	0.70	0.80	1.00	1.20	1.60	2.00	2.40

All dimensions in mm's