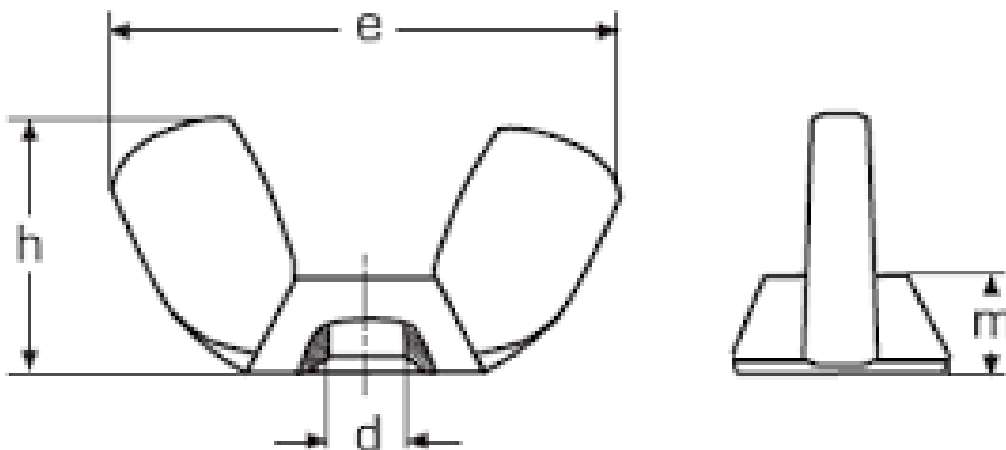


WING NUTS ANSI B18.17 LIGHT TYPE

Wing nuts to A.N.S.I B18.17 light type. Available in steel, steel zinc plated, Brass, nylon 66 and Stainless Steel Grade A2 & A4.



d Nom.	Pitch	m		h		e	
		Max.	Min.	Max.	Min.	Max.	Min.
M3	0.50	-	3.20	10.00	-	-	17.60
M4	0.70	4.60	3.20	10.50	8.50	20.00	18.00
M5	0.80	6.50	4.00	13.00	11.00	26.00	24.00
M6	1.00	8.00	5.00	17.00	15.00	33.00	30.00
M8	1.25	10.00	6.50	20.00	18.00	39.00	36.00
M10	1.50	12.00	8.00	25.00	23.00	51.00	48.00
M12	1.75	14.00	10.00	33.50	31.00	65.00	62.00
M16	2.00	17.00	13.00	37.50	35.00	73.00	70.00
M20	2.50	21.00	16.00	46.50	44.00	90.00	86.00
M24	3.00	25.00	20.00	56.50	53.50	110.00	106.00

All dimension's in mm