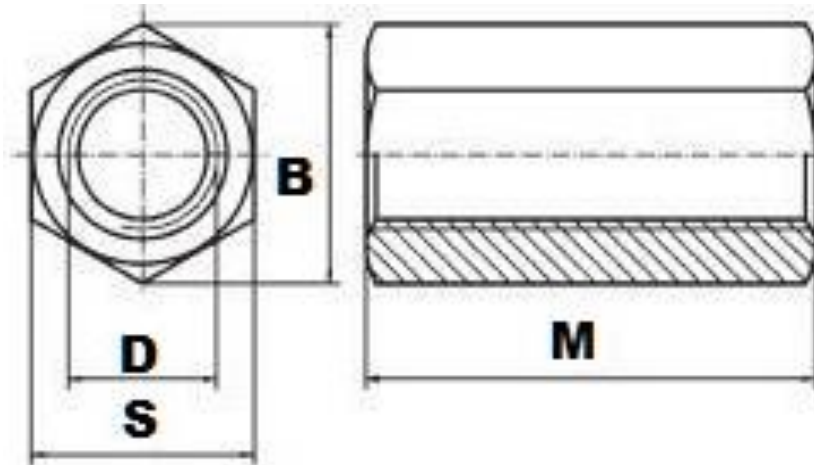


STUDDING CONNECTORS DIN 6334

Studding connectors or coupling nuts to DIN 6334. Used to join threaded bar together to make longer lengths. Available in mild steel Grade 4.6 Zinc Plated and Stainless Steel Grade A1 & A4



D Nom.	B	M	S
M5	9.00	15.00	8
M6	11.05	18.00	10
M8	15.00	24.00	13
M10	19.60	30.00	17
M12	21.90	36.00	19
M14	25.40	42.00	22
M16	27.70	48.00	24
M18	31.20	54.00	27
M20	34.60	60.00	30
M22	36.90	66.00	32
M24	41.60	72.00	36
M27	47.30	81.00	41
M30	53.10	90.00	46
M36	63.50	108.00	55
M42	75.00	126.00	65
M48	86.50	144.00	75

All dimension's in mm