

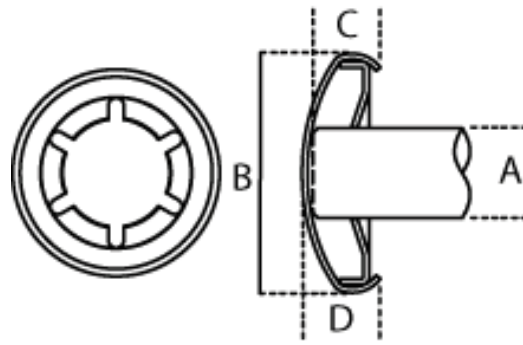
## STARLOCK® PUSH-ON FASTENER



Starlock® or push-on fasteners are available in spring steel finished in hydroclear water based lacquer (HC). They can be purchased with or without a Standard Stainless Steel dome. The cap hides the end of the axle when assembled to provide a cosmetic appearance. They are also available to order in Stainless Steel and with different profile caps to suit a wide variation of applications. Imperial sizes also available to order.

Uncapped Starlock® Push-On Fasteners For Metric Round Shafts						
Shaft Dia.	Pt No.	Number of Legs	Outside Dia.	Material Thickness	Approx. Push on Force KG	Approx. Pull Off Force KG
1.50	HC8004	4	9.702	0.203	4	20
2.00	HC6489	4	9.702	0.203	7	20
3.00	HC6490	4	9.702	0.203	11	20
4.00	HC6492	5	11.481	0.203	7	40
5.00	HC6491	6	11.481	0.203	12	40
6.00	HC6493	6	15.291	0.254	15	80
7.00	HC6703	6	15.291	0.254	19	80
8.00	HC6704	6	15.291	0.254	22	80
9.00	HC6708	6	18.440	0.305	21	100
10.00	HC6496	6	18.440	0.305	29	100
11.00	HC6706	6	18.440	0.305	42	100
12.00	HC6713	6	25.020	0.406	45	250
13.00	HC6829	6	25.020	0.406	35	250
14.00	HC6825	6	28.245	0.406	25	250
15.00	HC6714	6	28.245	0.406	34	250
16.00	HC6826	6	28.150	0.406	56	250
17.00	HC6715	6	28.245	0.406	49	250
18.00	HC6827	6	36.576	0.406	23	350
19.00	HC6828	9	36.576	0.406	16	385
20.00	HC6716	9	36.576	0.406	27	350
21.00	HC6830	9	36.576	0.406	21	385
22.00	HC6719	9	36.576	0.406	55	350
23.00	HC6831	9	38.176	0.457	71	350
24.00	HC6832	9	41.376	0.508	46	385
25.00	HC6717	9	41.350	0.508	57	385

All dimension's in mm



Dome

Capped Starlock® Push-On Fasteners For Metric Round Shafts							
Shaft Dia. A	Pt No.	Number of Legs	B	C	D	Approx. Push on Force KG	Approx. Pull Off Force KG
1.50	HC7204/01S	4	10.62	2.54	3.05	4	20
2.00	HC6662/01S	4	10.62	2.54	3.05	7	20
3.00	HC6663/01S	4	10.62	2.54	3.05	11	20
4.00	HC6665/02S	5	12.32	3.05	3.76	7	40
5.00	HC6664/02S	6	12.32	3.05	3.76	12	40
6.00	HC6666/03S	6	16.13	4.06	5.08	15	80
7.00	HC6670/03S	6	16.13	4.06	5.08	19	80
8.00	HC6671/03S	6	16.13	4.06	5.08	22	80
9.00	HC6674/04S	6	19.69	4.50	5.84	21	100
10.00	HC6668/04S	6	19.69	4.50	5.84	29	100
11.00	HC6673/04S	6	19.69	4.50	5.84	42	100
12.00	HC6675/05S	6	26.04	6.00	7.50	45	250
13.00	HC6885/05S	6	26.04	6.00	7.50	35	250
14.00	HC6881/06S	6	29.40	7.00	9.00	25	250
15.00	HC6676/06S	6	29.40	7.00	9.00	34	250
16.00	HC6882/06S	6	29.40	7.00	9.00	56	250
17.00	HC6677/06S	6	29.40	7.00	9.00	49	250
18.00	HC6883/07S	6	38.23	8.70	11.70	23	350
19.00	HC6884/07S	9	38.23	8.70	11.70	16	385
20.00	HC6678/07S	9	38.23	8.70	11.70	27	350
21.00	HC6886/07S	9	38.23	8.70	11.70	21	385
22.00	HC6889/07S	9	38.23	8.70	11.70	55	350
23.00	HC6887/08S	9	39.75	9.53	12.95	71	350
24.00	HC6888/09S	9	43.05	9.53	12.45	46	385
25.00	HC6679/09S	9	43.05	9.53	12.45	57	385

All dimension's in mm