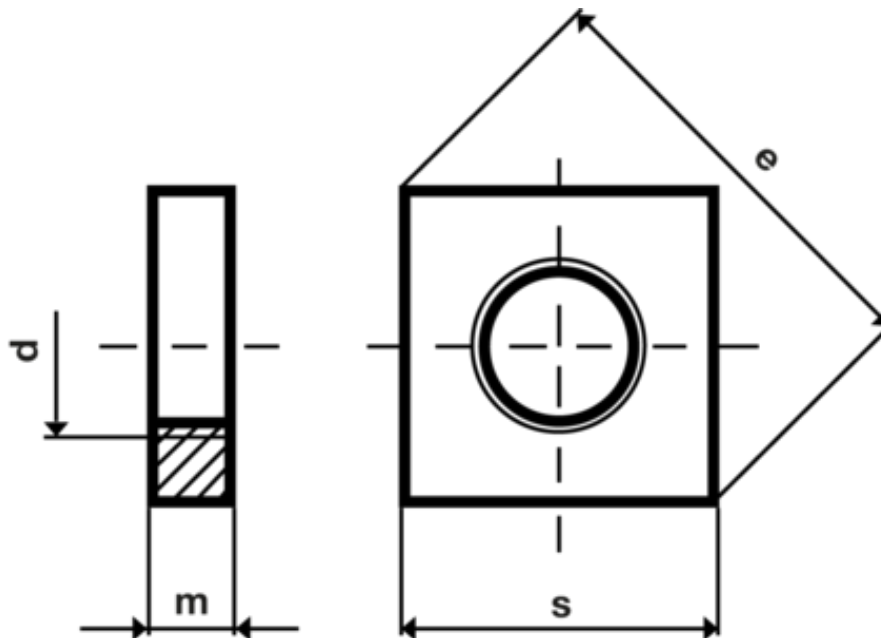


SQUARE NUT DIN562

Available in steel, steel zinc plated, Stainless Steel A2 & A4.



d	e	s	m
M2	5.00	4.00	1.20
M2.5	6.30	5.00	1.60
M3	7.00	5.50	1.80
M4	8.90	7.00	2.20
M5	10.20	8.00	2.70
M6	12.70	10.00	3.20
M8	16.50	13.00	4.00
M10	21.50	17.00	5.00

All dimensions in mm's