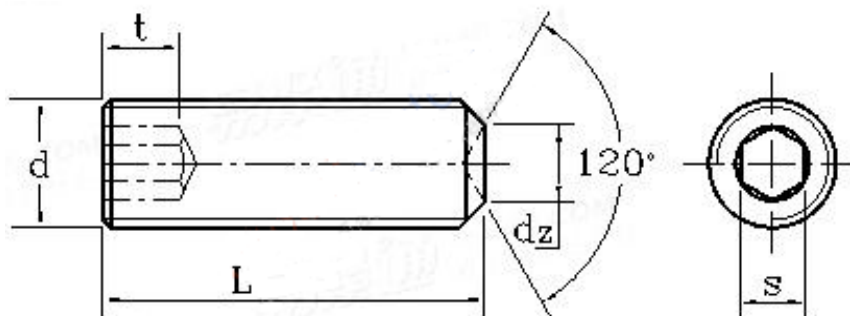


SOCKET SET CUP POINT DIN916

Socket set or grub screws to DIN916 with a plain cup point. Available in steel 45H self-colour, steel 45H zinc plated and Stainless Steel Grade A2 & A4. Standard metric coarse and fine pitches available.



d Nom.	dz Max.	s Nom.	t Min.
M1.4	0.70	0.70	0.60
M1.6	0.80	0.70	0.70
M1.8	0.90	0.70	0.80
M2	1.00	0.90	0.80
M2.5	1.20	1.30	1.20
M3	1.40	1.50	1.20
M4	2.00	2.00	1.50
M5	2.50	2.50	2.00
M6	3.00	3.00	2.00
M8	5.00	4.00	3.00
M10	6.00	5.00	4.00
M12	8.00	6.00	4.80
M14	9.00	6.00	5.60
M16	10.00	8.00	6.40
M18	12.00	10.00	7.20
M20	14.00	10.00	8.00
M22	16.00	12.00	9.00
M24	16.00	12.00	10.00

All dimension's in mms