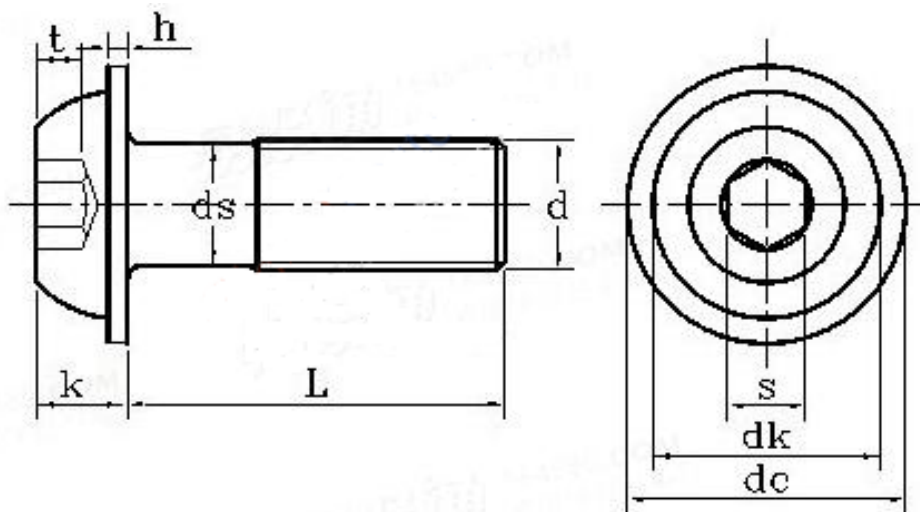


SOCKET FLANGE BUTTON ISO 7380-2

Socket flange button screws to ISO 7380-2. Available in Grade 10.9 steel self-colour, grade 10.9 steel zinc plated* and Stainless Steel Grade A2 & A4.



d	Pitch	h		dc		ds		dk		k		s	T
		Max.	Min.	Max.	Min.	Max.	Min.	Max.	Min.	Max.	Min.		
M3	0.50	0.70	0.55	6.90	6.32	3.00	2.86	5.70	5.40	1.65	1.40	2.00	1.04
M4	0.70	0.80	0.65	9.40	8.82	4.00	3.82	7.60	7.24	2.20	1.95	2.50	1.30
M5	0.80	1.00	0.80	11.80	11.10	5.00	4.82	9.50	9.14	2.75	2.50	3.00	1.56
M6	1.00	1.20	1.00	13.60	12.90	6.00	5.82	10.50	10.07	3.30	3.00	4.00	2.08
M8	1.25	1.50	1.25	17.80	17.10	8.00	7.78	14.00	13.57	4.40	4.10	5.00	2.60
M10	1.50	2.00	1.70	21.90	21.06	10.00	9.78	17.50	17.07	5.50	5.20	6.00	3.12
M12	1.75	2.40	2.10	26.00	25.16	12.00	11.73	21.00	20.48	6.60	6.24	8.00	4.16
M16	2.00	2.80	2.50	34.00	33.00	16.00	15.73	28.00	27.78	8.80	8.44	10.00	5.20

All dimension's in mm

HIGH GRADE PRODUCTS IN CRITICAL APPLICATIONS

Electro-plating of products in grade 10 and above may cause hydrogen embrittlement. No responsibility can be taken for reduced loading or failure and any resulting claims from this. Please see ISO:4042 for further information.