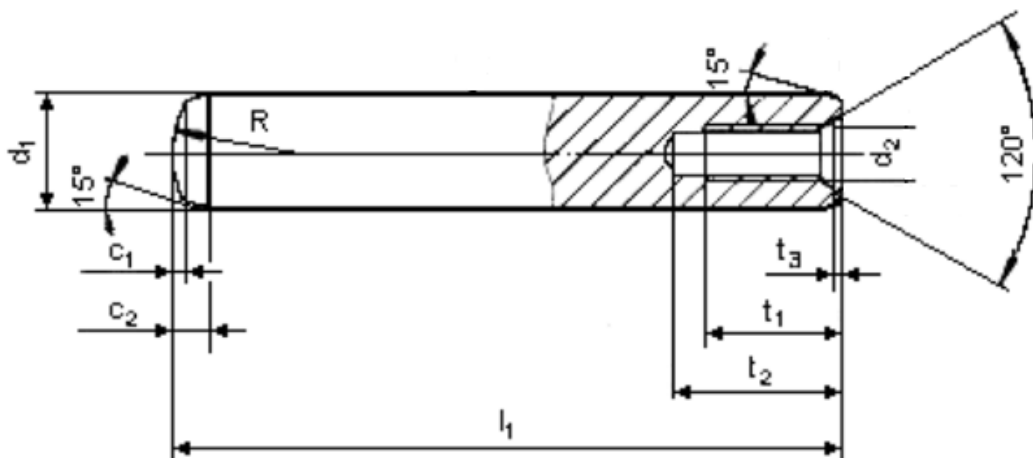


## RETRACTABLE DOWEL PINS WITH AIR RELEASE FLAT DIN7979D-m6 Tol.

Retractable or extractable dowel pins to DIN797D with an m6 tolerance. Available in through hardened steel grade WS 1.3505, ground to m6 tolerance and Stainless Steel A2 grade WS 1.4305 ground to m6 tolerance. All with air release flat to allow ease of extraction.



d1 nom. Pin dia.	t3	c1	c2	d2	t1	t2 Min.
4*	0.50	0.40	1.30	M3	6.00	7.00
5*	0.60	0.50	1.70	M3	6.00	7.00
6	0.80	0.60	2.10	M4	6.00	10.00
8	1.00	0.80	2.60	M5	8.00	12.00
10	1.20	1.00	3.00	M6	10.00	16.00
12	1.60	1.20	3.80	M6	10.00	16.00
14	1.80	1.40	4.00	M8	12.00	20.00
16	2.00	1.60	4.70	M8	12.00	20.00
20	2.50	2.00	6.00	M10	16.00	25.00
25	3.00	2.50	6.00	M16	24.00	34.00
30	4.00	3.00	7.00	M20	30.00	42.00
40	5.00	4.00	8.00	M20	30.00	42.00

\*denotes non-preferred diameter

all dimensions in mm