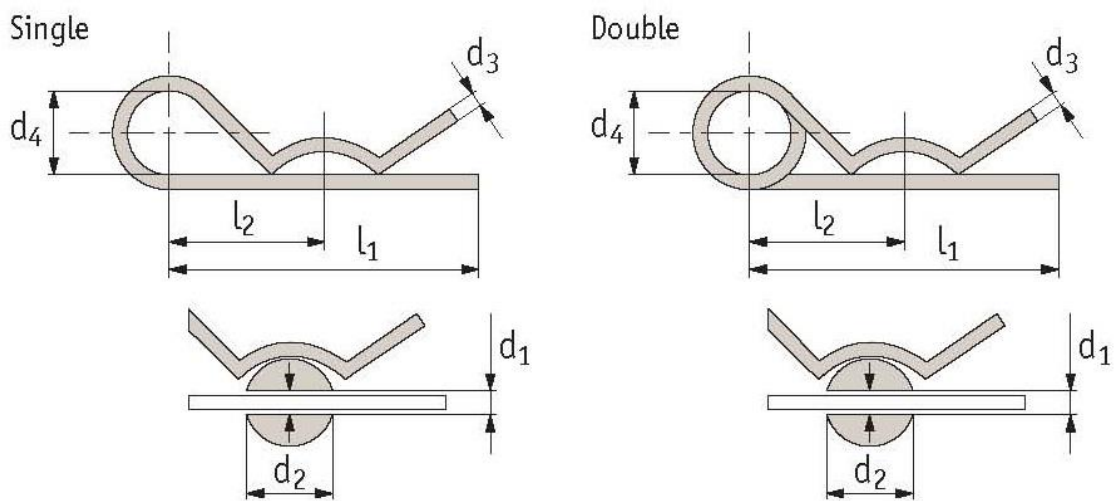


R-CLIPS (RETAINING PINS)

DIN 11024

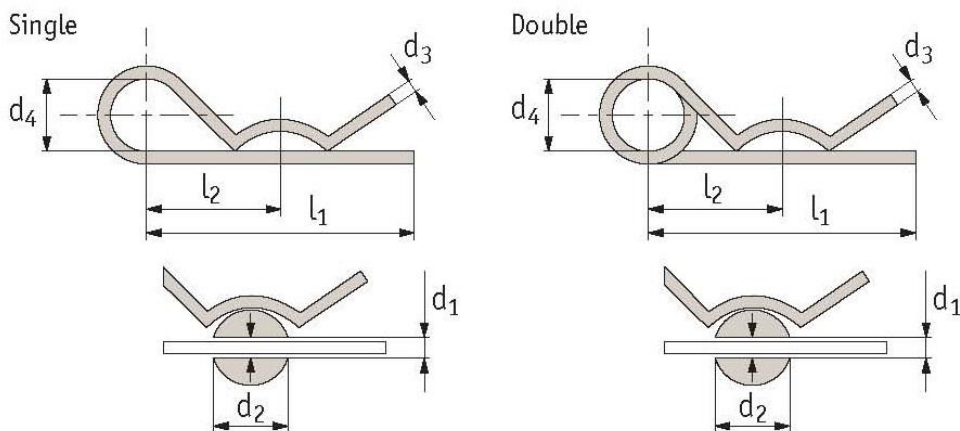
R-Clips or retaining pins to DIN11024. Available in zinc plated spring steel and Stainless Steel A2 & A4.
Single coil for normal applications or for more demanding applications use the double coil type.



Type	Hole Ø d1	d2 range	Wire Ø d3	d4	l1	l2	Material
Single	1.50	5-8	1.20	3.50	22.00	10.00	Steel
Single	2.00	7-12	1.60	5.00	22.00	10.00	Steel
Single	2.20	8-13	1.80	7.50	32.00	15.00	Steel
Single	2.50	9-14	2.00	10.00	50.00	25.00	Steel
Single	3.50	10-16	3.00	18.00	60.00	28.00	Steel
Single	4.50	16-20	4.00	20.00	60.00	30.00	Steel
Single	6.00	20-28	5.00	24.00	85.00	40.00	Steel
Single	7.00	28-40	6.00	30.00	105.00	50.00	Steel
Single	8.00	28-45	7.00	30.00	105.00	50.00	Steel
Single	9.00	30-45	8.00	28.00	110.00	55.00	Steel

Type	Hole Ø d1	d2 range	Wire Ø d3	d4	l1	l2	Material
Single	2.50	8-12	2.00	10.00	40.00	25.00	A2 ST/ST
Single	3.00	10-16	2.50	11.00	46.00	24.00	A2 ST/ST
Single	3.50	16-18	3.00	16.00	60.00	34.00	A2 ST/ST
Single	4.50	18-20	4.00	19.00	64.00	36.00	A2 ST/ST
Single	6.00	20-28	5.00	26.00	82.00	45.00	A2 ST/ST
Single	7.00	28-40	6.00	30.00	110.00	60.00	A2 ST/ST
Single	2.00	9-14	2.50	10.00	50.00	25.00	A4 ST/ST
Single	3.00	10-16	3.50	18.00	60.00	28.00	A4 ST/ST
Single	4.00	16-20	4.50	20.00	60.00	30.00	A4 ST/ST
Single	5.00	20-28	6.00	24.00	85.00	40.00	A4 ST/ST
Single	6.00	28-40	7.00	30.00	105.00	50.00	A4 ST/ST
Single	7.00	28-45	8.00	30.00	105.00	50.00	A4 ST/ST
Single	8.00	30-45	9.00	28.00	110.00	55.00	A4 ST/ST

All dimension's in mm



Type	Hole Ø d1	d2 range	Wire Ø d3	d4	l1	l2	Material
Double	2.50	8-14	2.00	10.00	50.00	25.00	Steel
Double	3.50	14-20	3.00	16.00	62.00	32.00	Steel
Double	4.50	17-24	4.00	23.00	78.00	44.00	Steel
Double	5.50	18-30	5.00	26.00	92.00	50.00	Steel
Double	6.50	24-36	6.00	30.00	120.00	70.00	Steel
Double	8.00	26-40	7.00	30.00	130.00	72.00	Steel
Double	9.00	26-40	8.00	30.00	130.00	76.00	Steel
Double	2.50	9-11	2.25	20.00	42.00	24.00	A2 ST/ST
Double	3.20	11-14	2.80	20.00	48.00	26.00	A2 ST/ST
Double	4.00	14-20	3.60	20.00	64.00	32.00	A2 ST/ST
Double	5.00	20-26	4.50	25.00	80.00	39.00	A2 ST/ST
Double	6.30	26-34	5.60	25.00	97.00	45.00	A2 ST/ST
Double	7.00	34-35	6.30	30.00	125.00	56.00	A2 ST/ST
Double	8.00	45-56	7.00	30.00	150.00	63.00	A2 ST/ST
Double	2.50	9-11	2.25	20.00	42.00	24.00	A4 ST/ST
Double	3.20	11-14	2.80	20.00	48.00	26.00	A4 ST/ST
Double	4.00	14-20	3.50	20.00	64.00	32.00	A4 ST/ST
Double	5.00	20-26	4.50	25.00	80.00	39.00	A4 ST/ST
Double	6.30	26-34	5.60	25.00	97.00	45.00	A4 ST/ST
Double	7.00	34-45	6.30	30.00	125.00	56.00	A4 ST/ST
Double	8.00	45-56	7.00	30.00	150.00	63.00	A4 ST/ST

All dimension's in mm