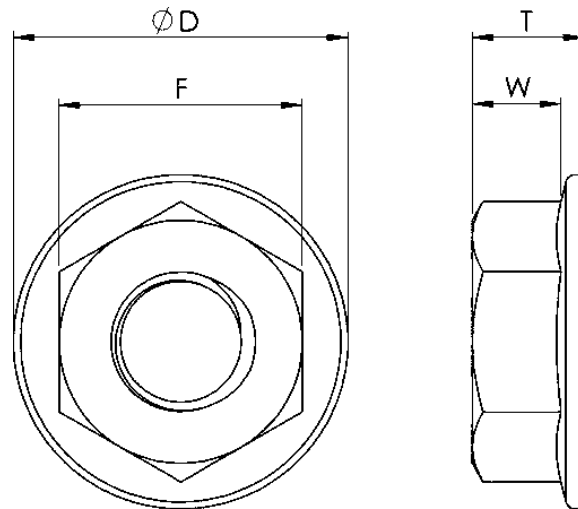


PLAIN & SERRATED FLANGE NUT DIN6923

Plain and serrated face flange nuts to DIN6923. Available in steel zinc plated and Stainless Steel grade A2 & A4. Threads available in metric coarse and metric fine.



Dia. Nom.	D Max.	F Max.	T Max.	W Min.
M3	8.00	5.50	3.70	1.60
M4	10.00	7.00	4.50	1.90
M5	11.80	8.00	5.00	2.20
M6	14.20	10.00	6.00	3.10
M8	17.90	13.00	8.00	4.50
M10	21.80	15.00	10.00	5.50
M12	26.00	18.00	12.00	6.70
M14	29.90	21.00	14.00	7.80
M16	34.50	24.00	16.00	9.00
M20	42.80	30.00	20.00	11.10

All dimensions in mm