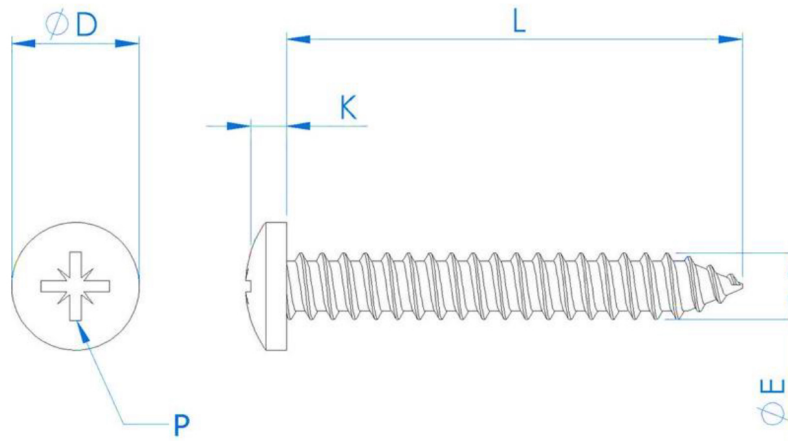


**Cross Recessed Pan Head Tapping Screws, Steel Case-hardened
CRS (cross recessed slotted)**

DIN 7981 C Cone Pointed **DIN 7971 F** Flat Pointed



E	2.9 No4	3.5 No6	4.2 No8	4.8 No10
D	5.60	6.90	8.20	9.50
K	2.20	2.60	3.05	3.55
E	5.5 No12	6.3 No14	8.0 No16	
D	10.80	12.50		
K	3.95	4.55		

* Non-Preferred Size