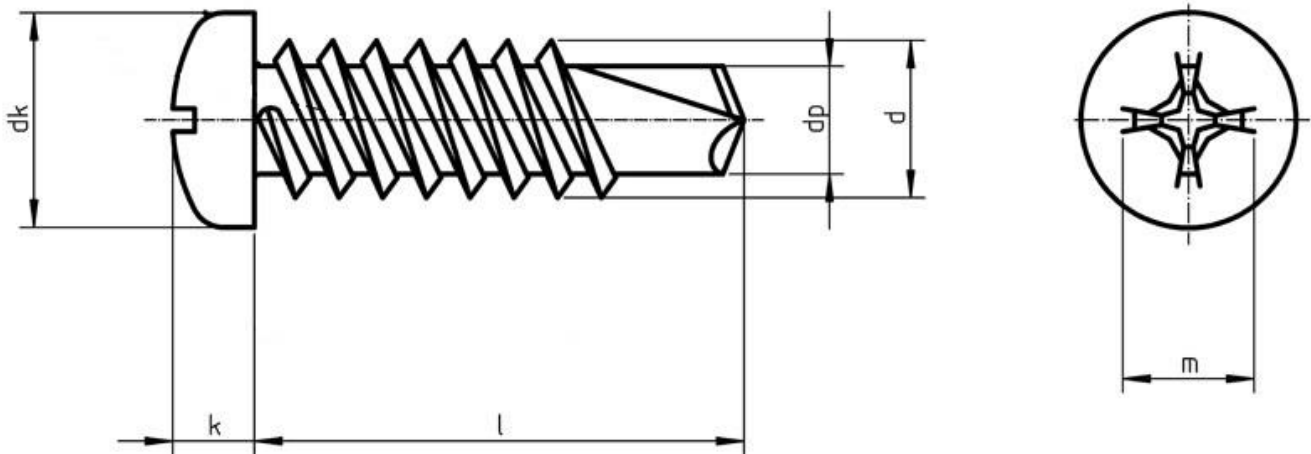


PAN CRS HEAD SELF DRILLING SCREW DIN7504-N

Pan head CRS self drilling screws to DIN7504N. Available in hardened steel zinc plated and Stainless Steel grade A2



d	Dk Max.	K Max.	m	Dp Max.	bit size
2.9	5.60	2.20	3.00	2.30	No1
3.5	5.90	2.60	4.20	2.80	No1
3.9	7.50	2.80	4.40	3.10	No2
4.2	8.20	3.05	4.60	3.60	No2
4.8	9.50	3.55	5.00	4.10	No2
5.5	10.80	3.95	6.50	4.80	No3
6.3	12.50	4.55	7.10	5.80	No3

All dimension's in mm