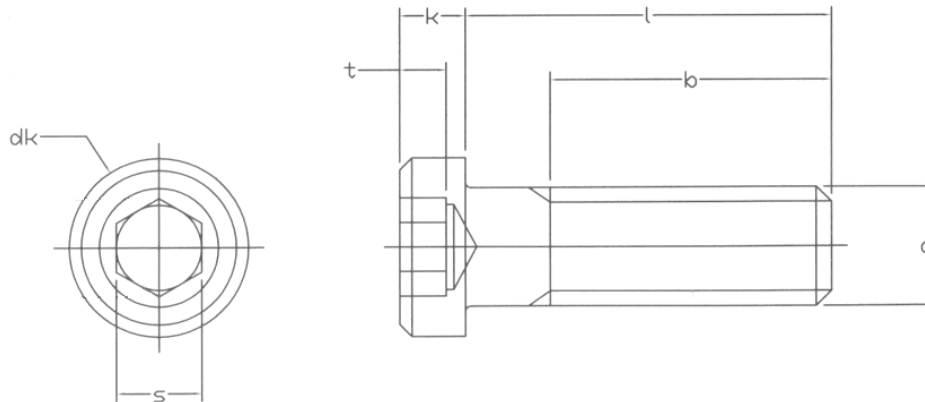


## LOW HEAD SOC CAP SCREW DIN7984

Low head soc caps to DIN7984 suitable for use where a standard height socket cap screw will not fit.  
Available in steel with a minimum tensile strength of grade 8.8, steel zinc plated  
and Stainless Steel grades A2 & A4



d Nom.	Pitch	b	dk Max.	k Max.	s Nom.	t Min.
M3	0.50	12.00	5.50	2.00	2.00	1.38
M4	0.70	14.00	7.00	2.80	2.50	2.18
M5	0.80	16.00	8.50	3.50	3.00	2.58
M6	1.00	18.00	10.00	4.00	4.00	2.88
M8	1.25	22.00	13.00	5.00	5.00	3.65
M10	1.50	26.00	16.00	6.00	7.00	4.35
M12	1.75	30.00	18.00	7.00	8.00	4.85
M14	2.00	34.00	21.00	8.00	10.00	5.15
M16	2.00	38.00	24.00	9.00	12.00	5.35
M18	2.50	42.00	27.00	10.00	12.00	6.32
M20	2.50	46.00	30.00	11.00	14.00	7.32
M22	2.50	50.00	33.00	12.00	14.00	7.82
M24	3.00	54.00	36.00	13.00	17.00	7.82

All dimension's in mm

### **\*HIGH GRADE PRODUCTS IN CRITICAL APPLICATIONS\***

Electro-plating of products in grade 10 and above may cause hydrogen embrittlement. No responsibility can be taken for reduced loading or failure and any resulting claims from this.

Please see ISO:4042 for further information.