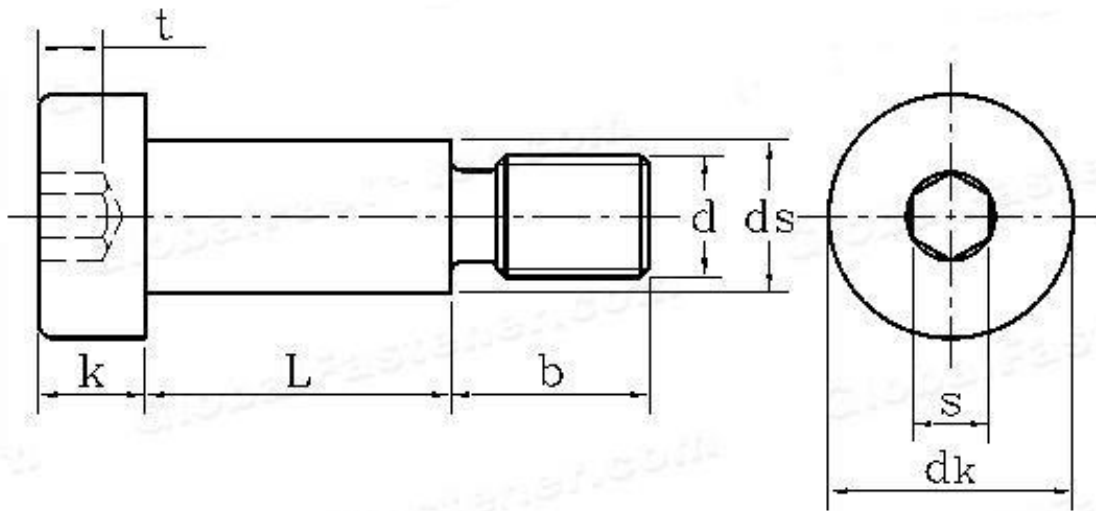


## SOC SHOULDER SCREW ISO 7379



"ds"	Nom.	6	8	10	12	16	20	24
	Max.	5.99	7.987	9.987	11.984	15.984	19.980	23.98
	Min.	5.96	7.951	9.951	11.941	15.941	19.928	23.928
"d"		M5	M6	M8	M10	M12	M16	M20
Pitch		0.80	1.00	1.25	1.50	1.75	2.00	2.50
"b"	Max.	9.75	11.25	13.25	16.40	18.40	22.40	27.40
	Min.	9.25	10.75	12.75	15.60	17.60	21.60	26.60
"dk"	Max.	10.22	13.27	16.27	18.27	24.33	30.33	36.39
	Min.	9.78	12.73	15.73	17.73	23.67	29.67	35.61
"k"	Max.	4.50	5.50	7.00	9.00	11.00	14.00	16.00
	Min.	4.32	5.32	6.78	8.78	10.73	13.73	15.73
"s"	Nom.	3.00	4.00	5.00	6.00	8.00	10.00	12.00
	Max.	3.08	4.095	5.095	6.095	8.115	10.115	12.142
	Min.	3.02	4.02	5.02	6.02	8.025	10.025	12.032
"t" Min.		2.40	3.30	4.20	4.90	6.60	8.80	10.00

All dimension's in mm's