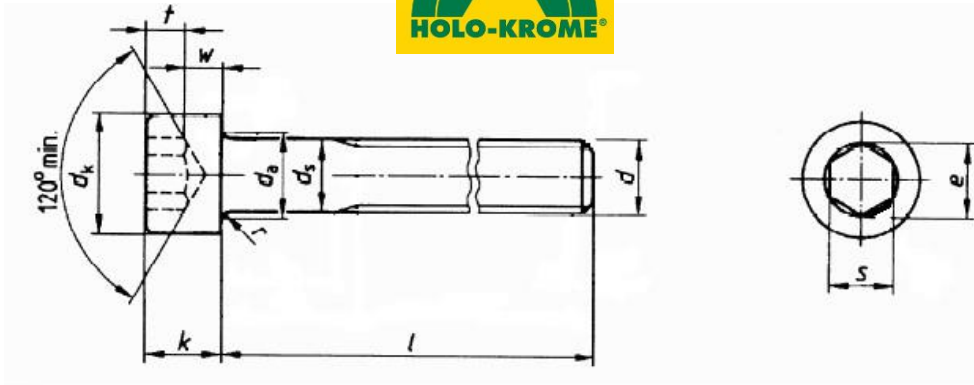


Socket Head Cap Screws, Metric, Class 12.9, Black Oxide, Manufactured in the USA



Diameter	dk		da	ds		k		e	s		r	t	w
	Max.	Min.	Max.	Max.	Min.	Max.	Min.	Min.	Max.	Min.	Min.	Min.	Min.
M2	3.80	3.62	2.60	2.00	1.86	2.00	1.86	1.73	1.545	1.520	0.1	1.0	0.55
M2.5	4.50	4.32	3.10	2.50	2.36	2.50	2.36	2.30	2.045	2.020	0.1	1.1	0.85
M3	5.50	5.32	3.60	3.00	2.86	3.00	2.86	2.87	2.56	2.52	0.1	1.3	1.15
M4	7.00	6.78	4.70	4.00	3.82	4.00	3.82	3.44	3.071	3.02	0.2	2.0	1.40
M5	8.50	8.28	5.70	5.00	4.82	5.00	4.82	4.58	4.084	4.02	0.2	2.5	1.90
M6	10.00	9.78	6.80	6.00	5.82	6.00	5.70	5.72	5.084	5.02	0.25	3.0	2.30
M8	13.00	12.73	9.20	8.00	7.78	8.00	7.64	6.86	6.095	6.02	0.4	4.0	3.30
M10	16.00	15.73	11.20	10.00	9.78	10.00	9.64	9.15	8.115	8.025	0.4	5.0	4.00
M12	18.00	17.73	13.70	12.00	11.73	12.00	11.57	11.43	10.115	10.025	0.6	6.0	4.80
M16	24.00	23.67	17.70	16.00	15.73	16.00	15.57	16.00	14.142	14.032	0.6	8.0	6.80
M20	30.00	29.67	22.40	20.00	19.67	20.00	19.48	19.44	17.23	17.05	0.8	10.0	8.60
M24	36.00	35.61	26.40	24.00	23.67	24.00	23.48	21.73	19.275	19.065	0.8	12.0	10.40
M30	45.00	44.61	33.40	30.00	29.67	30.00	29.48	24.15	22.275	22.065	1.0	15.5	13.10
M36	54.00	53.54	39.40	36.00	35.61	36.00	35.38	30.85	27.275	27.065	1.0	19.0	15.30

Specification Requirements:

- Dimensions: ISO 4762
- Threads: 4g6g
- Material & Mechanical: ISO 898-1 Class 12.9.
- Marking: Manufacturer ID and Class "12.9"
- Finish: Black Oxide (Thermal or Chemical)
- Material Test Reports: The MTR must have documented lot traceability, including full chemical and mechanical figures, to the specification(s) above.