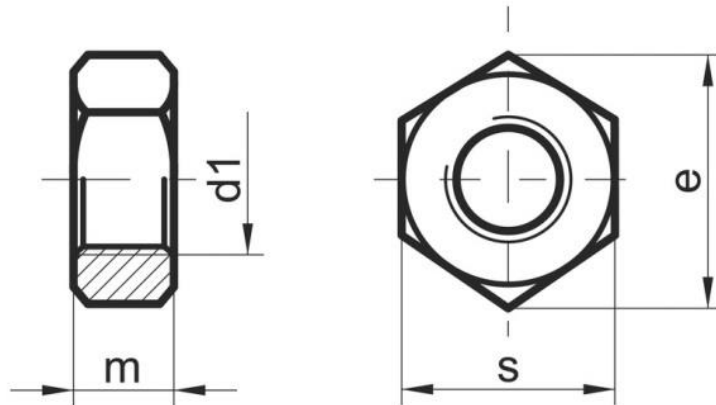


HEXAGON LOCK NUT DIN439B

Available in steel, steel zinc plated, Stainless Steel A2 & A4 and Brass.
Threads pitches are available in metric course and metric fine.



d1	s	e	m	d1	s	e	m
M1.6	3.20	3.50	1.00	M18	27.00	29.56	9.00
M1.8	3.50	3.83	1.10	M20	30.00	32.95	10.00
M2	4.00	4.32	1.20	M22	32.00	35.03	11.00
M2.5	5.00	5.47	1.60	M24	36.00	39.55	12.00
M3	5.50	6.01	1.80	M27	41.00	45.20	13.50
M3.5	6.00	6.57	2.00	M30	46.00	50.85	15.00
M4	7.00	7.66	2.20	M33	50.00	55.37	16.50
M5	8.00	8.79	2.70	M36	55.00	60.79	18.00
M6	10.00	11.05	3.20	M39	60.00	66.00	19.50
M8	13.00	14.38	4.00	M42	65.00	71.50	21.00
M10	17.00	18.90	5.00	M45	70.00	77.00	22.50
M12	19.00	21.10	6.00	M48	75.00	82.50	24.00
M14	22.00	24.49	7.00	M52	80.00	88.00	26.00
M16	24.00	26.75	8.00				

All dimensions in mms