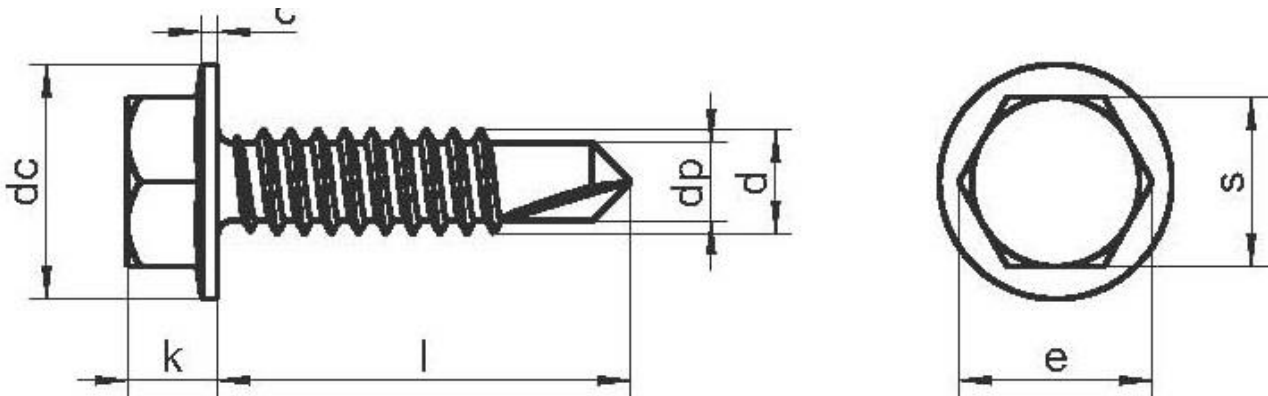


HEXAGON FLANGED HEAD SELF DRILLING SCREW DIN7504-K

Hexagon head self drilling screw with flange to DIN7504K. Available in hardened steel zinc plated and Stainless Steel grade A2



d	dp	s	c	k Max.	dc Max.	e Min.
3.5	2.80	5.50	0.60	3.45	8.30	5.96
3.9	3.10	5.50	0.60	3.45	8.30	5.96
4.2	3.60	7.00	0.90	4.25	8.80	7.59
4.8	4.10	8.00	0.90	4.45	10.50	8.71
5.5	4.80	8.00	1.00	5.45	11.00	8.71
6.3	5.80	10.00	1.00	6.45	13.20	10.95

All dimension's in mm