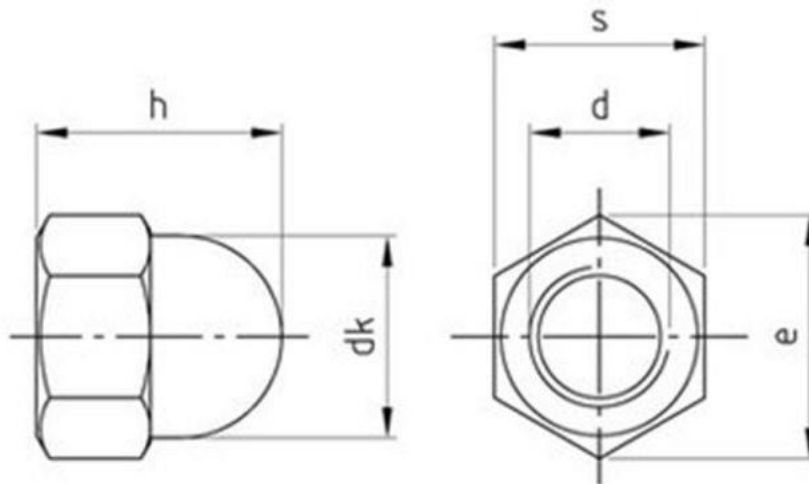


## HEXAGON DOME/CAP NUTS DIN1587

Dome or Cap nuts to DIN1587, suitable for a decorative finishes on work or to protect against damage from stud ends. Available in steel self colour, steel zinc plated, nylon 66, brass and Stainless Steel grades A2 & A4



"d" Nom.	"h"	"s"	"e"	"dk"
M3	7.00	5.50	6.01	5.50
M4	8.00	7.00	7.66	6.50
M5	10.00	8.00	8.79	7.50
M6	12.00	10.00	11.05	9.50
M8	15.00	13.00	14.38	12.50
M10	18.00	17.00	18.90	16.00
M12	22.00	19.00	21.10	18.00
M14	25.00	22.00	24.49	21.00
M16	28.00	24.00	26.75	23.00
M18	32.00	27.00	30.14	26.00
M20	34.00	30.00	33.53	28.00
M22	39.00	34.00	37.72	33.00
M24	42.00	36.00	39.98	34.00
M27	47.00	41.00	47.30	40.00
M30	52.00	46.00	52.00	42.00

All dimensions in mm