

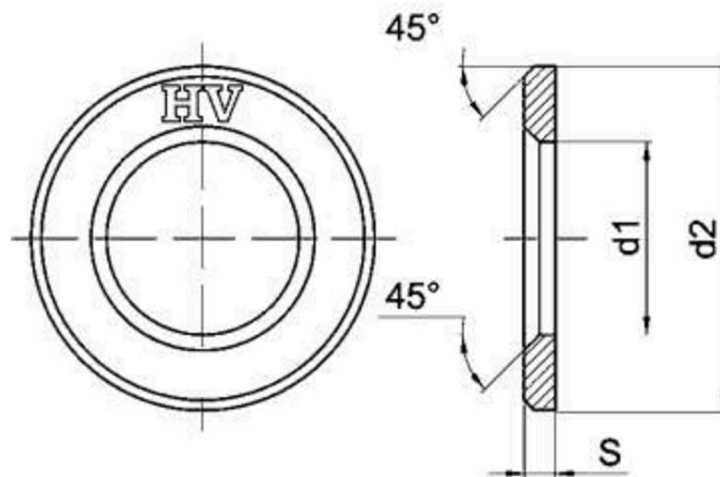
## HARDENED/STRUCTURAL WASHERS

### DIN6916

### DATA SHEET



A hardened washer to DIN9619 with a hardness value of 295-350 HV10. Suitable for use with high grade bolting and structural applications.



Nom. Dia.	d1 Min.	d2 Max.	S
M12	13.00	24.00	3.00
M16	17.00	30.00	4.00
M20	21.00	37.00	4.00
M22	23.00	39.00	4.00
M24	25.00	44.00	4.00
M27	28.00	50.00	5.00
M30	31.00	56.00	5.00
M36	37.00	66.00	5.00

All dimensions in mm