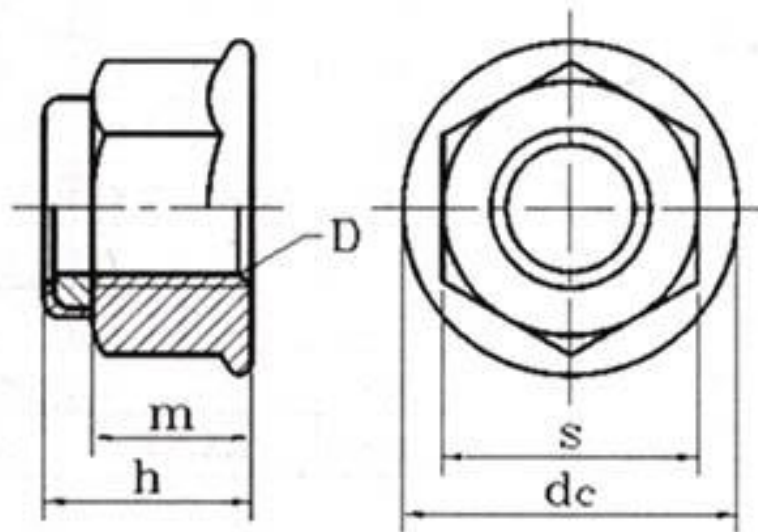


HEXAGON PLAIN & SERRATED FLANGE NUT WITH NYLON INSERT DIN6926

Plain and serrated face flange nuts with non-metallic insert to DIN6926. Available in steel zinc plated and Stainless Steel grade A2 & A4. Threads available in metric coarse and metric fine.



D Nom.	dc Max.	h Max.	m Min.	s Max.
M5	11.80	7.10	4.70	8.00
M6	14.20	9.10	5.70	10.00
M8	17.90	11.10	7.60	13.00
M10	21.80	13.50	9.60	15.00
M12	26.00	16.10	11.60	18.00
M14	29.90	18.20	13.30	21.00
M16	34.50	20.30	15.30	24.00
M20	42.80	24.80	18.90	30.00

All dimensions in mm