

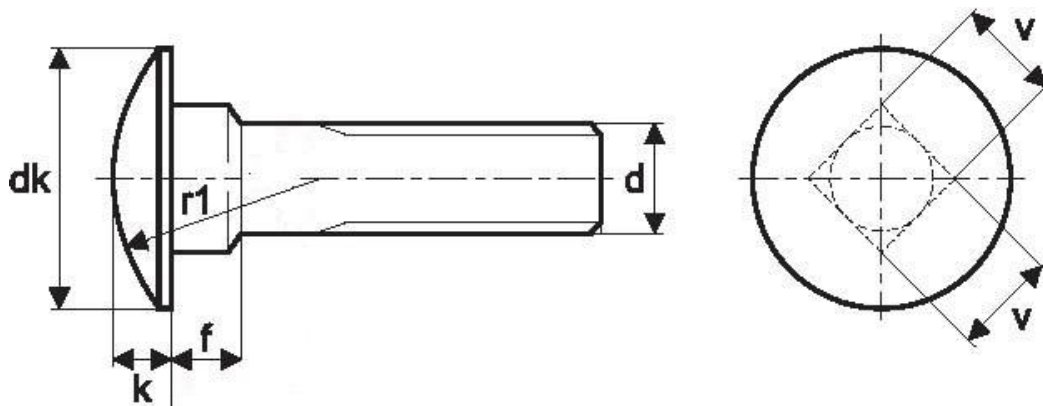
CUP SQ. HEX BOLTS DIN 603

A mild steel grade 4.8 cup sq hex or carriage bolt, suitable for fixing through wood or steel.

The square neck is designed to dig into the wood to stop bolt rotating on tightening.

Can be used as a security fixing in wood or steel due to the head style.

Available in steel zinc plated complete with hexagon full nuts, galvanised and Stainless Steel Grades A2 & A4 without nuts.



Nominal Size And Thread Diameter "d"	Pitch of Thread	Diameter of Head "dk"		Depth of Square Under Head "f"		Thickness of Head "k"		Radius of Head "r1"	Width Across Flats of Square Under Head "v"	
	Coarse pitch	Max.	Min.	Max.	Min.	Max.	Min.	Min.	Max.	Min.
M5*	0.80	13.55	12.45	4.10	2.90	3.30	2.70	10.70	5.48	4.52
M6	1.00	16.55	15.45	4.60	3.40	3.88	3.12	12.60	6.48	6.52
M8	1.25	20.65	19.35	5.60	4.40	4.88	4.12	16.00	8.58	7.42
M10	1.50	24.65	23.35	6.60	5.40	5.38	4.62	19.20	10.58	9.42
M12	1.75	30.65	29.35	8.75	7.25	6.95	6.05	24.10	12.70	11.30
M16*	2.00	38.80	37.20	12.90	11.10	8.95	8.05	29.30	16.70	15.30
M20*	2.50	46.80	45.20	15.90	14.10	11.05	9.95	33.90	20.84	19.16

* denotes non-preferred diameter.

All dimensions in mm