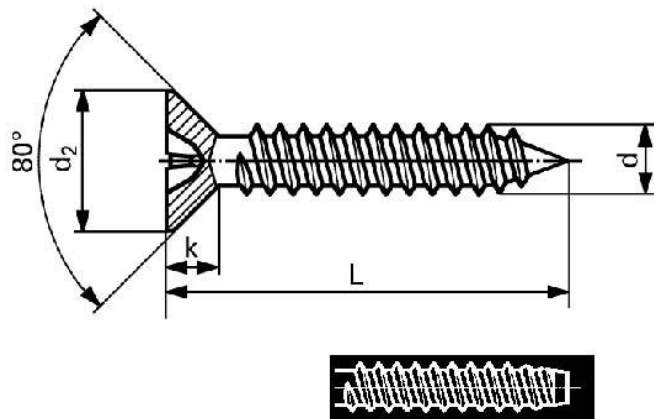


**Cross recessed flat head tapping screws, steel, case-hardened
CRS (cross recessed slotted)**

DIN 7982 C Cone Pointed (AB) **DIN 7982 F** Flat Pointed (B)



d	2.2 No2	2.9 No4	3.5 No6	3.9 No7*
d2	4.30	5.50	6.80	7.50
k	1.30	1.70	2.10	2.30
d	4.2 No8	4.8 No10	5.5 No12	6.3 No14
d2	8.10	9.50	10.80	12.40
k	2.50	3.00	3.40	3.80

* Non-Preferred Size