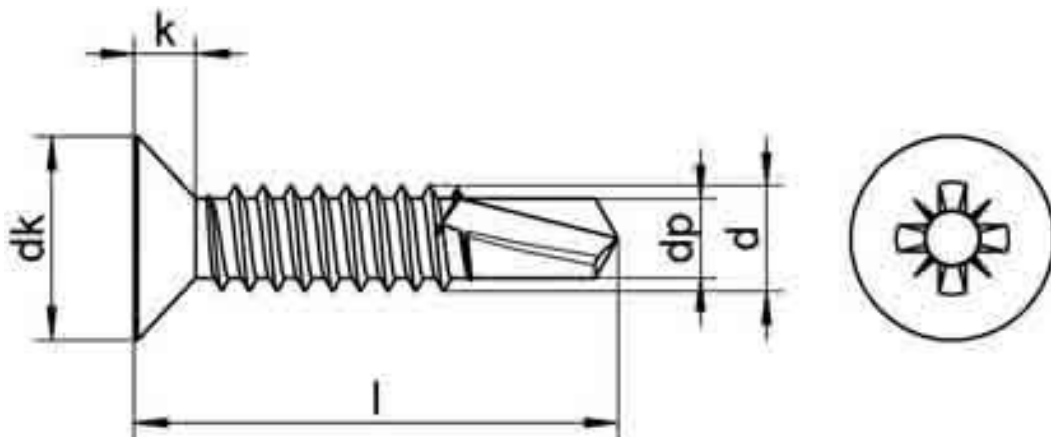


# CSK CRS HEAD SELF DRILLING SCREW

## DIN7504-P

Csk head CRS self drilling screws to DIN7504P. Available in hardened steel zinc plated and Stainless Steel grade A2



d	dk Max.	k Max.	dp Max.	bit size
3.5	6.80	2.10	2.80	No.2
3.9	7.50	2.30	3.10	No.2
4.2	8.10	2.50	3.60	No.2
4.8	9.50	3.00	4.10	No.2
5.5	10.87	3.40	4.80	No.3
6.3	12.40	3.80	5.80	No.3

All dimension's in mm